

# Specialty Boat Covers & Bimini Tops for Boats with Ski/Wakeboard Tower!



## Fits Virtually Any Tower Configuration

### Boat Cover Features Include:

- ▶ Available in two fabrics: Performance Poly-Guard® (5-Year Warranty) and Double Duck (3-Year Warranty).
- ▶ Two extra-long tower slots accommodate virtually any tower configuration (measurements provided on Page 2).
- ▶ Tower slots are completely lined with marine-grade hook & loop fasteners to keep the boat fully protected.
- ▶ Unique styling conforms well to windshields.
- ▶ Reinforcements at key stress points prolong the life of the cover and keep the boat protected.
- ▶ Suitable for trailering when properly tied down.



### Cover comes standard with:

- ▶ Heavy-Duty Boat Cover Tie Down Kit
- ▶ 2 Rope Ratchets
- ▶ Easy Installation Instructions



### TST – Tournament Ski Boats with Tower

**New!  
Narrow  
Series!**

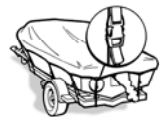
| C/L   | Beam Up To | Inboard/Outdrive Description | Doubleduck Order No. | Poly-Guard Order No. |
|-------|------------|------------------------------|----------------------|----------------------|
| 18'6" | 90"        | NTST-18                      | 74518ND              | 74518NP              |
| 19'6" | 90"        | NTST-19                      | 74519ND              | 74519NP              |
| 20'6" | 92"        | NTST-20                      | 74520ND              | 74520NP              |
| 19'6" | 102"       | TST-19                       | 74519D               | 74519P               |
| 20'6" | 102"       | TST-20                       | 74520D               | 74520P               |
| 21'6" | 102"       | TST-21                       | 74521D               | 74521P               |
| 22'6" | 102"       | TST-22                       | 74522D               | 74522P               |
| 23'6" | 102"       | TST-23                       | 74523D               | 74523P               |

### DBT – Deck Boats with Tower

| C/L   | Beam Up To | Fits O/B & I/O Description | Doubleduck Order No. | Poly-Guard Order No. |
|-------|------------|----------------------------|----------------------|----------------------|
| 20'6" | 102"       | DBT-20                     | 96120D               | 96120P               |
| 21'6" | 102"       | DBT-21                     | 96121D               | 96121P               |
| 22'6" | 102"       | DBT-22                     | 96122D               | 96122P               |
| 23'6" | 102"       | DBT-23                     | 96123D               | 96123P               |
| 24'6" | 102"       | DBT-24                     | 96124D               | 96124P               |
| 25'6" | 102"       | DBT-25                     | 96125D               | 96125P               |

### VST – V-Hull Runabout Boats with Tower (O/B and I/O)

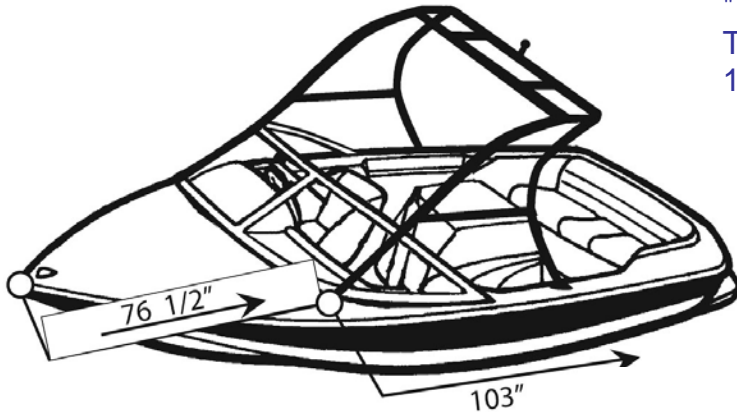
| C/L   | Beam Up To | O/B Description | Doubleduck Order No. | Poly-Guard Order No. | I/O Description | Doubleduck Order No. | Poly-Guard Order No. |
|-------|------------|-----------------|----------------------|----------------------|-----------------|----------------------|----------------------|
| 18'6" | 102"       | VST-18 O/B      | 97018D               | 97018P               | VST-18 I/O      | 97118D               | 97118P               |
| 19'6" | 102"       | VST-19 O/B      | 97019D               | 97019P               | VST-19 I/O      | 97119D               | 97119P               |
| 20'6" | 102"       | VST-20 O/B      | 97020D               | 97020P               | VST-20 I/O      | 97120D               | 97120P               |
| 21'6" | 102"       | VST-21 O/B      | 97021D               | 97021P               | VST-21 I/O      | 97121D               | 97121P               |
| 22'6" | 102"       | ---             | ---                  | ---                  | VST-22 I/O      | 97122D               | 97122P               |
| 23'6" | 102"       | ---             | ---                  | ---                  | VST-23 I/O      | 97123D               | 97123P               |
| 24'6" | 102"       | ---             | ---                  | ---                  | VST-24 I/O      | 97124D               | 97124P               |



**Tie-Down Kit and two Rope Ratchets Included!**

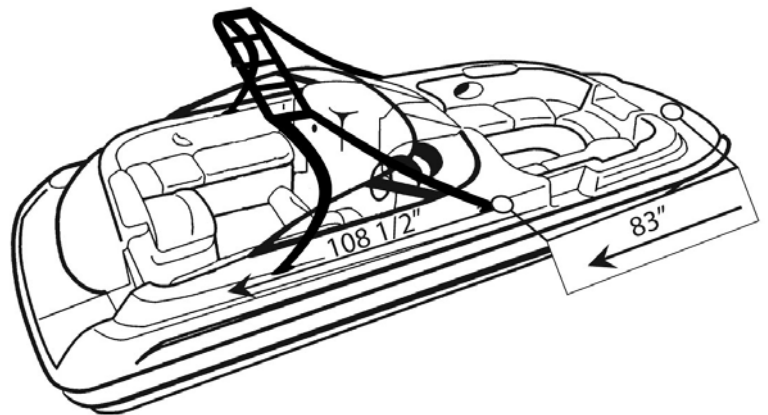
Please see Page 2 for helpful info on tower slot measurements.

The Tower Slots on Carver Boat Covers will accommodate the majority of OEM and aftermarket ski towers based on the most common range of mounting positions on the boat. However, some exceptions may apply. If your tower is mounted exceptionally fore or aft, please check the measurements below to verify that our cover will accommodate the location of your tower.

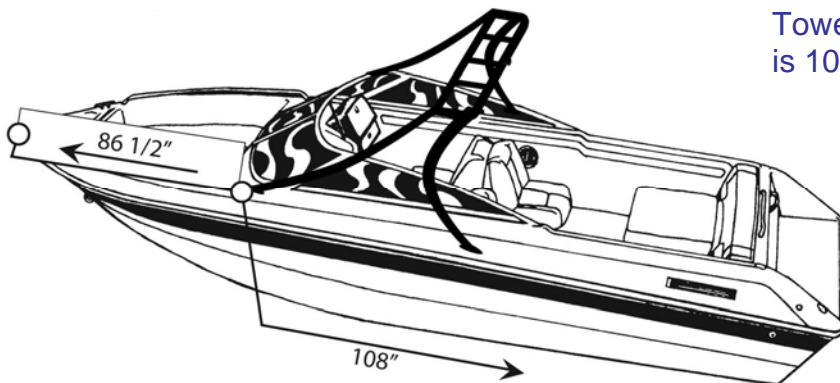


"TST" Tournament Ski Boat with Ski Tower  
Tower slot starts 76-1/2" from bow and is 103" long.

"DBT" Deck Boat with Ski Tower  
Covers up to 24'6", the tower slot starts 83" from bow and is 108-1/2" long.  
Covers 25'6" and up, the tower slot starts 112" from bow and is 144" long.



"VST" V-Hull Runabout with Ski Tower  
Tower slot starts 86-1/2" from bow and is 108" long.



**NO NEED TO DRILL INTO THE TOWER!**

# Universal Tower Top

26" High – 5' long  
Available in 4 sizes to fit virtually any tower configuration!

Our universal tower clamps accommodate a wide range of tower diameters from 1-7/8" up to 2-3/8" making our tower bimini among the easiest to install. Available only in our premium Sunbrella® 100% marine acrylic with matching zippered storage boot and 7/8" heavy-wall anodized aluminum tubing. Each tower bimini comes standard with one set of tower clamps, high grade domestic black nylon fittings and front and rear hold down straps. Hold down straps may be replaced with optional braces (sold separately, see part numbers below).

Convenient storage design allows top to be secured to the tower when folded back and not in use.



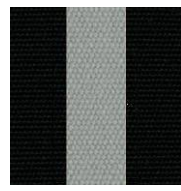
Shown with optional front and rear braces.



## Now Available with a Stripe!



Jet Black & Sunflower Yellow (229)



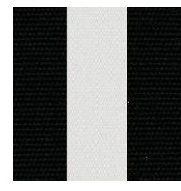
Jet Black & Cadet Gray (210)



Jet Black & Pacific Blue (24)



Jet Black & Jockey Red (27)



Jet Black & Natural (240)

Other color combinations available by special order

| Fits Widths | Acrylic Part Numbers – Solid Canvas                |  | Acrylic Part Numbers – Striped Canvas              |  |
|-------------|--|--|--|--|
|             | Ready to Assemble<br>UPS-able<br>With Storage Boot | Fully Assembled<br>Ships by Truck<br>With Storage Boot | Ready to Assemble<br>UPS-able<br>With Storage Boot | Fully Assembled<br>Ships by Truck<br>With Storage Boot |
| 66" to 74"  | A2670UBD   | A2670TBD   | A2670UBDST   | A2670TBDST   |
| 74" to 82"  | A2678UBD   | A2678TBD   | A2678UBDST   | A2678TBDST   |
| 82" to 90"  | A2686UBD   | A2686TBD   | A2686UBDST   | A2686UBDST   |
| 90" to 98"  | A2694UBD   | A2694TBD   | A2694UBDST   | A2694UBDST   |

Note: Add Acrylic Color Code to complete your part number (see above for striped colors or see catalog for solid colors). Upgrade to Stainless Steel Fittings by added (SS) to your part number. Example: A2686UBD(SS)-2



Optional braces are available as an upgrade to standard hold-down straps. Braces are 24" long and are sold in pairs. Each pair of braces comes complete with tower clamps.  
**Single Brace Kit (front or rear) – Order No. OPT1D**  
**Dual Brace Kit (front and rear) – Order No. OPT2D**

Note: Upgrade braces to stainless steel fittings by adding (SS) to your Part number. Example: OPT2D(SS)



Made in the USA

